

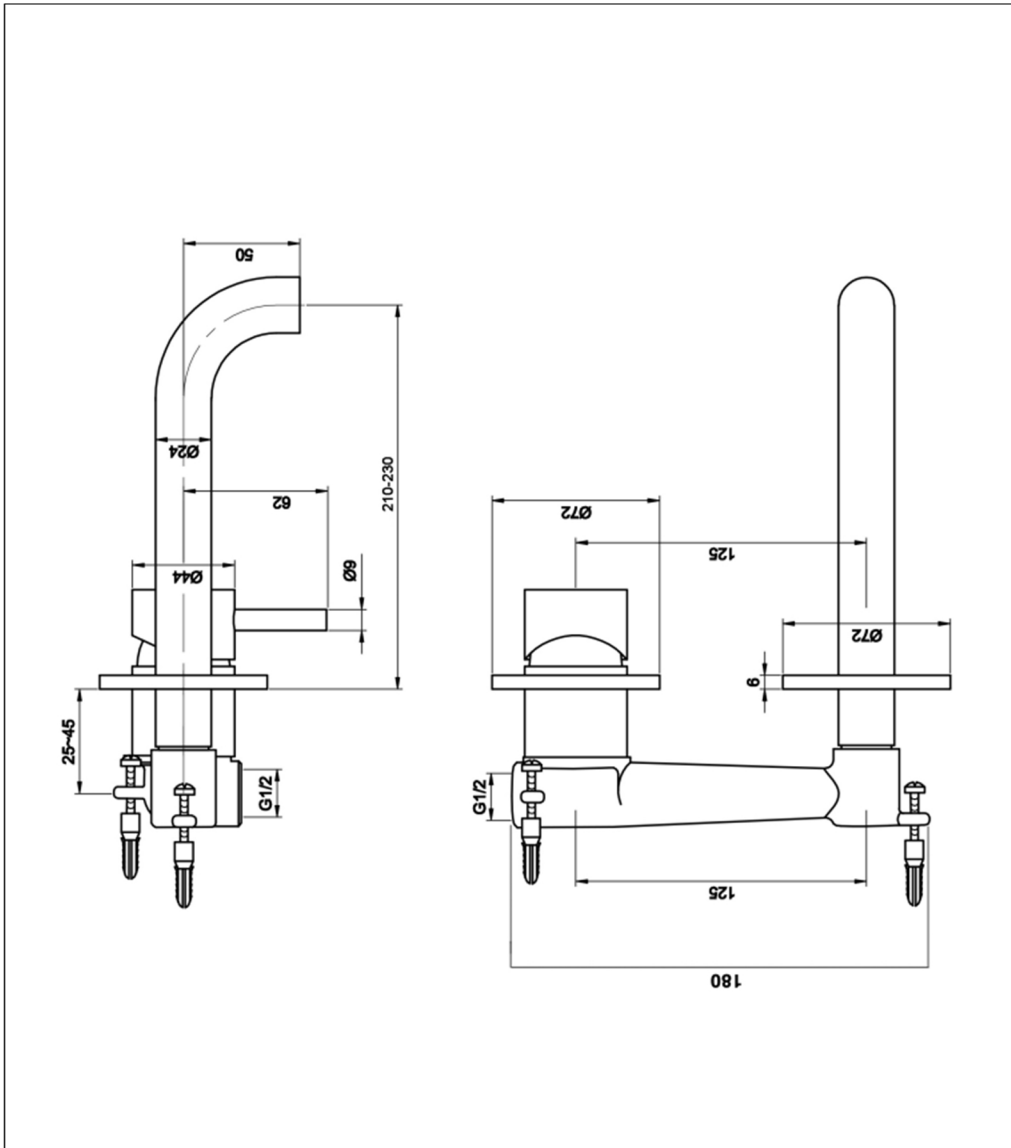


Technical Data Sheet

Product range: FLORENCE

Product code: 55273EX

Finishes Available: Chrome



Min Pressure:
MP 0.5

Approvals:
WRAS

Connections:
G 1/2"

Warranty:
15 Years

Flow Rate

0.5Bar: 9L/min

1Bar: 13L/min

2Bar: 17.8L/min

3Bar: 22L/min